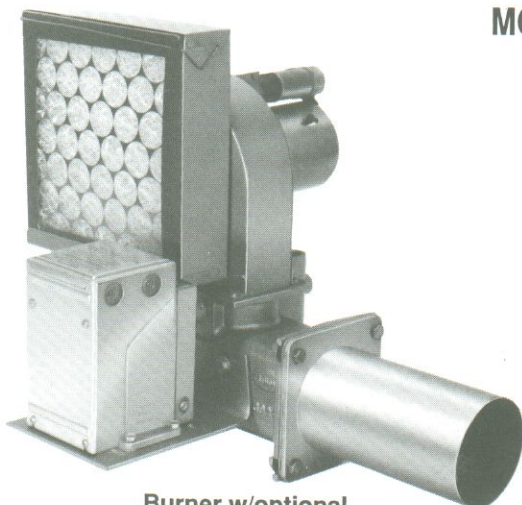
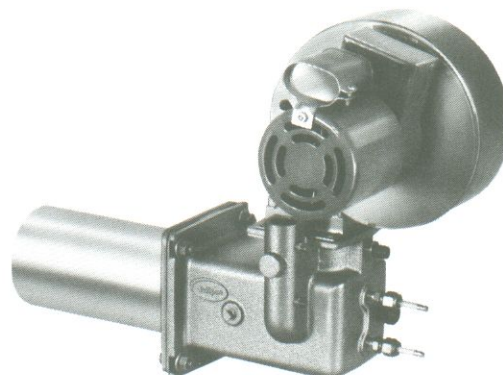


ECLIPSE MINIMATIC BURNERS

MODEL 50 MMB



**Burner w/optional
Filter & Control Motor**



**Minimatic
Burner**

The Eclipse Minimatic burner is a compact packaged gas burner designed for use in process air heating applications such as ovens and dryers. Minimatic burners feature an integral air and gas butterfly mounted on the same shaft for ease of set-up and dependable operation.

CAUTION: It is dangerous to use any fuel burning equipment unless it is equipped with suitable flame sensing devices and automatic fuel shut-off valves. Eclipse can supply such equipment or information on alternate sources.

DIMENSIONS & SPECIFICATIONS

Capacity

Maximum: 500,000 Btu/hr.
Minimum: 10,000 Btu/hr.

Turndown

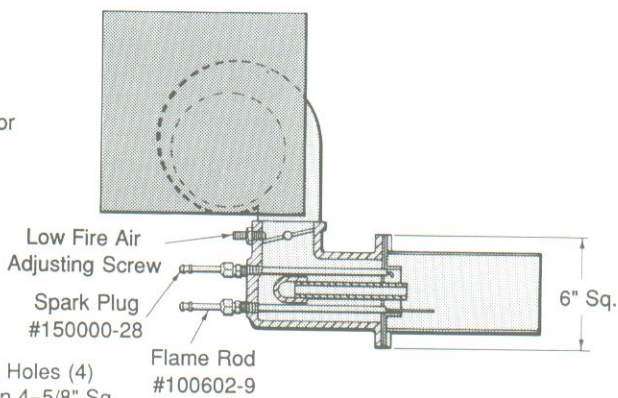
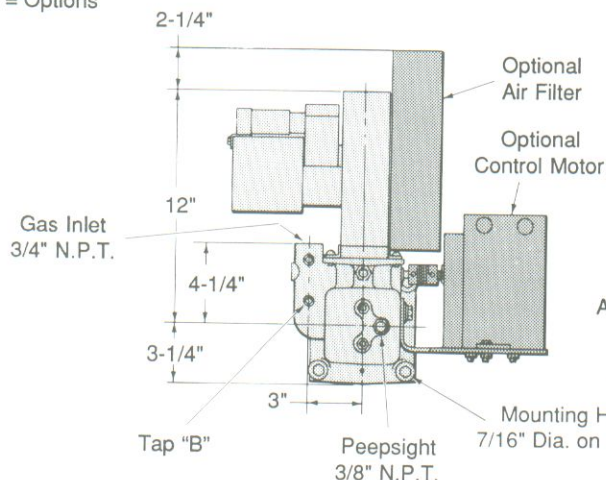
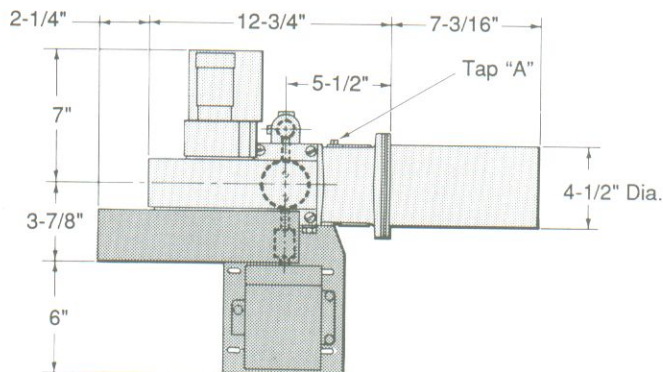
Air: 8:1
Gas: 50:1

Gas Pressure: 4" w.c.

Motor: 1/8 hp, 115 volt, 3200 rpm, 1.8 amp continuous duty

Max. Chamber Temperature: 1200° F. Depending on the application, higher temperatures are possible. Contact Eclipse for details.

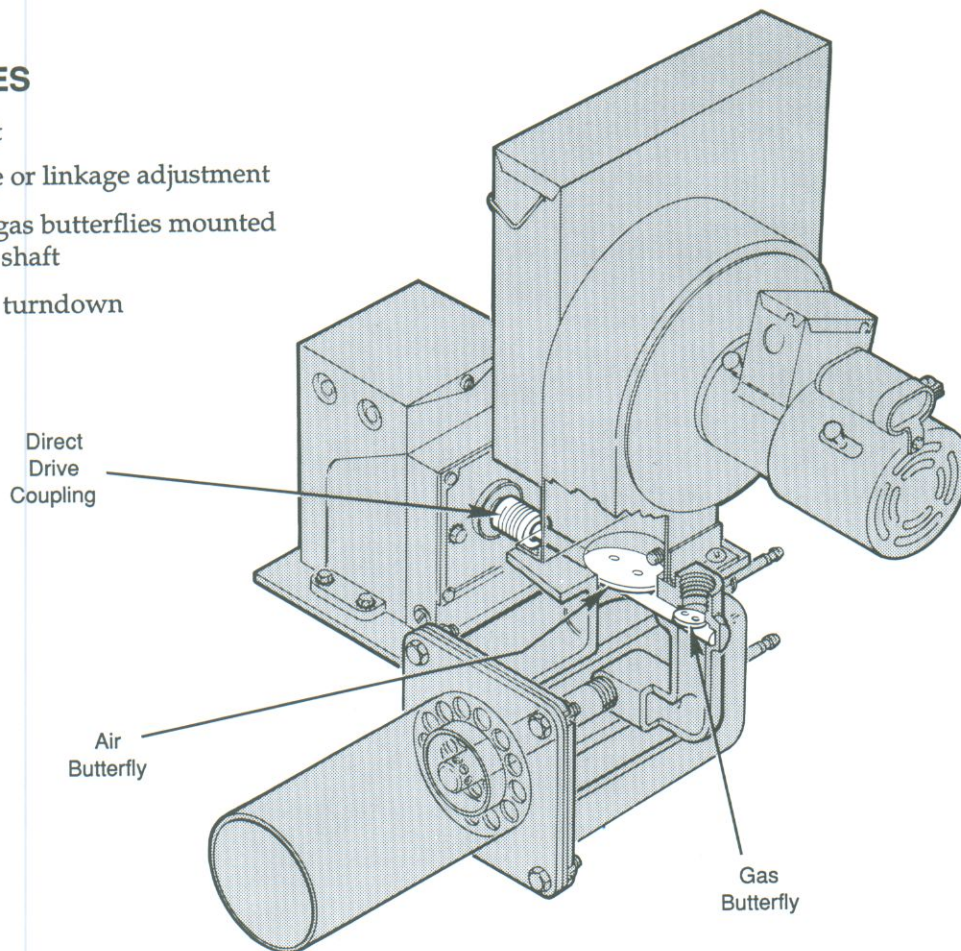
- = Basic burner assembly
- = Options



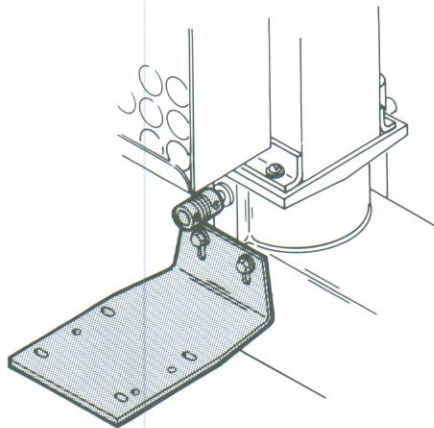
ECLIPSE COMBUSTION, INC.

FEATURES

- Compact
- No valve or linkage adjustment
- Air and gas butterflies mounted on same shaft
- 50:1 Gas turndown



MOTOR MOUNTING KIT



When ordered with the burner, the bracket is factory mounted. The bracket accepts Honeywell, Barber-Colman and Eclipse control motors.

U. V. SCANNERS

Scanners are shipped loose when ordered with the burner. They mount in place of the flame rod. Use adaptor #103003 for scanners with 1/2" thread and #103001 for scanners with 3/4" thread to attach the scanner to the burner.



PCI PC-2 with 1/2" Liqui-tite conduit connector: Part Number 17265.



Fireye UVM-1A with flexible metal conduit: Part Number 13788.



Honeywell C7027A Minipeeper with two 6' leads: Part Number 16281.



ECLIPSE COMBUSTION, INC.



Offered By:

Power Equipment Company
2011 Williamsburg Road
Richmond, Virginia 23231
Phone (804) 236-3800
Fax (804) 236-3882

www.peconet.com